

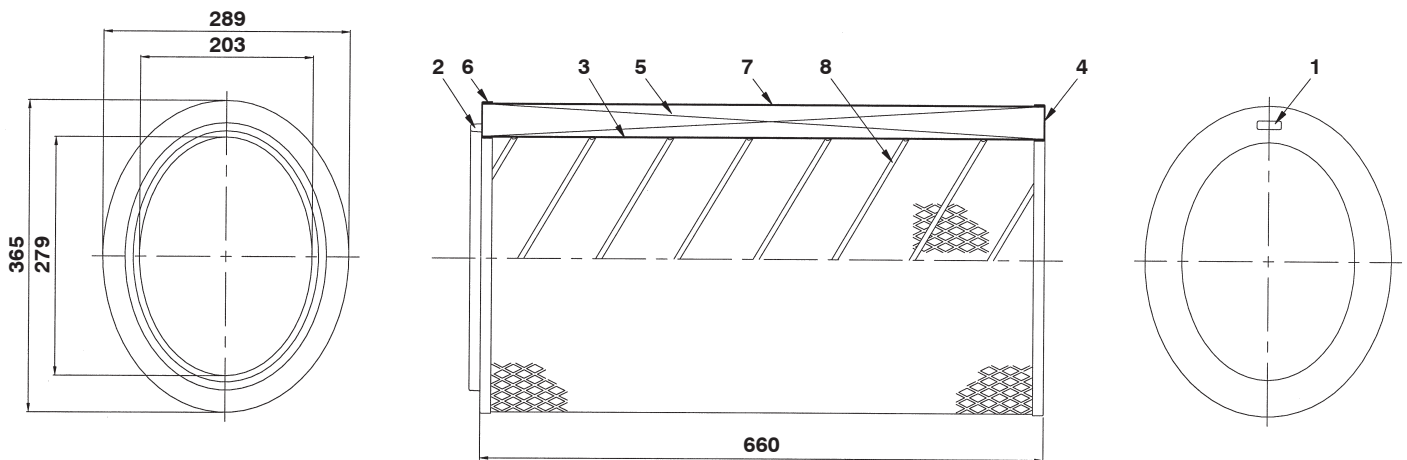


Donaldson
FILTRATION SOLUTIONS

DATA SHEET

Replacement Elements

Cartridges – DFO style



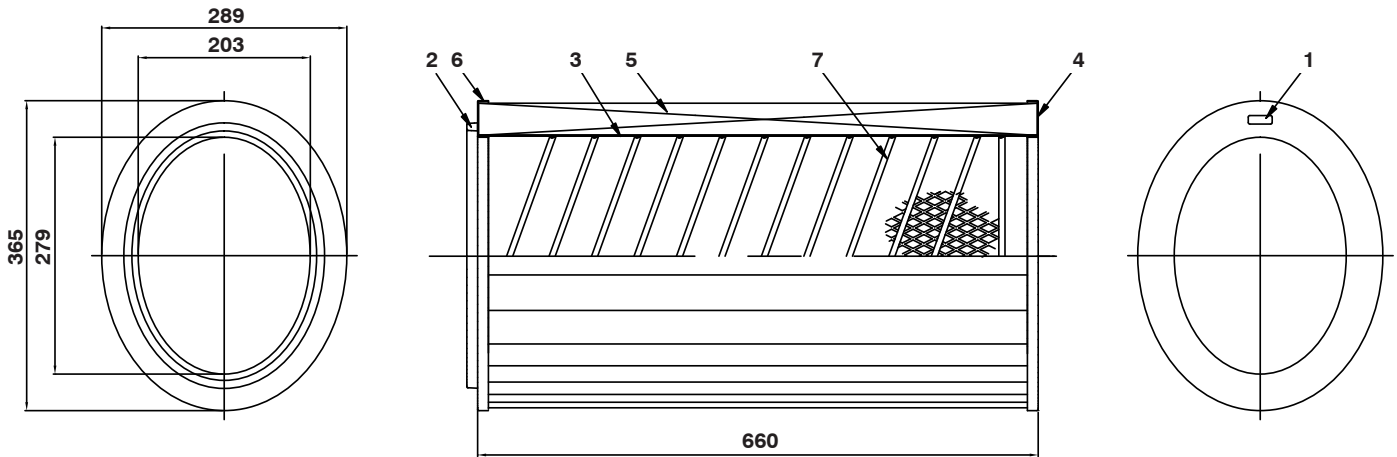
With outer liner
2 open end caps

SPECIFICATION

Item	Description	Item	Description
1	Marking	5	Media pack
2	Gasket	6	Top end cap (open)
3	Inner liner	7	Outer liner
4	Bottom end cap (open)	8	Inner beading

Media alternatives:

- Ultra-Web®
- Ultra-Web® FR
- Kevlar / Nomex
- Thermotek



Without outer liner
2 open end caps

SPECIFICATION

Item	Description	Item	Description
1	Marking	5	Media pack
2	Gasket	6	Top end cap (open)
3	Inner liner	7	Inner beading
4	Bottom end cap (open)		

Media alternatives:

- Ultra-Web®
- Ultra-Web® FR
- Fibra-Web®
- Torit-Tex
- Torit-Tex AS*
- Ultra-Web® SB
- Ultra-Web® SB AS

* Available in high temperature version (135°C)



Humberstone Lane
Thurmaston
Leicester LE4 8HP
England

Tel +44 (0)116 269 6161
Fax +44 (0)116 269 3028

Email: IAF-uk@donaldson.com

www.donaldson.com

Research Park Building No. 1303
Interleuvenlaan 1
B-3001 Leuven (Heverlee)
Belgium

Tel +32 (0)16 383 970
Fax +32 (0)16 383 938

Email: IAF-europe@donaldson.com

Donaldson reserves the right to change or discontinue any model or specification at any time and without notice. Freedom from patent restrictions must not be assumed.